

BARACUDA®

THE TRUSTED NAME IN POOL CARE

Founded in the 1970s, BARACUDA® offers complete pool care solutions trusted worldwide for quality, simplicity and ease of use for everyday pools.



InnQua™

White Goods

The right fit for every installation



STRONG &
DURABLE

RELIABLE IN ANY POOL ENVIRONMENT

Built with high-performance ABS to resist stress, temperature changes and continuous water exposure. Reliable performance, season after season.



EASY TO
INSTALL

INSTALLS FAST, FITS RIGHT

Multiple connection options — threaded and internal or external gluing — ensure compatibility with different pipe diameters. Integrated fastening elements provide a secure fit and help reduce installation time.



FITS EVERY
POOL

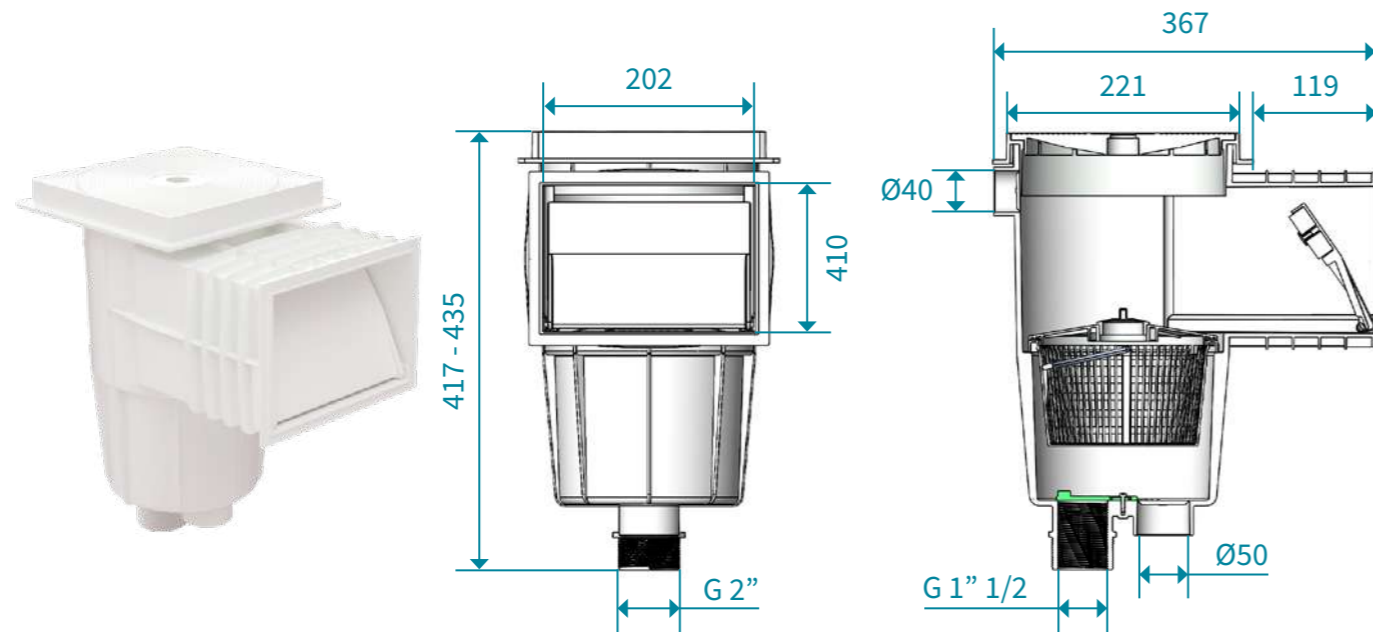
SUITABLE FOR MULTIPLE POOL SETUPS

InnQua products cover all key pool functions and adapt seamlessly to any residential pool, thanks to multiple shapes and sizes for concrete and liner installations.

Skimmer 15L, standard mouth, concrete pools

78215

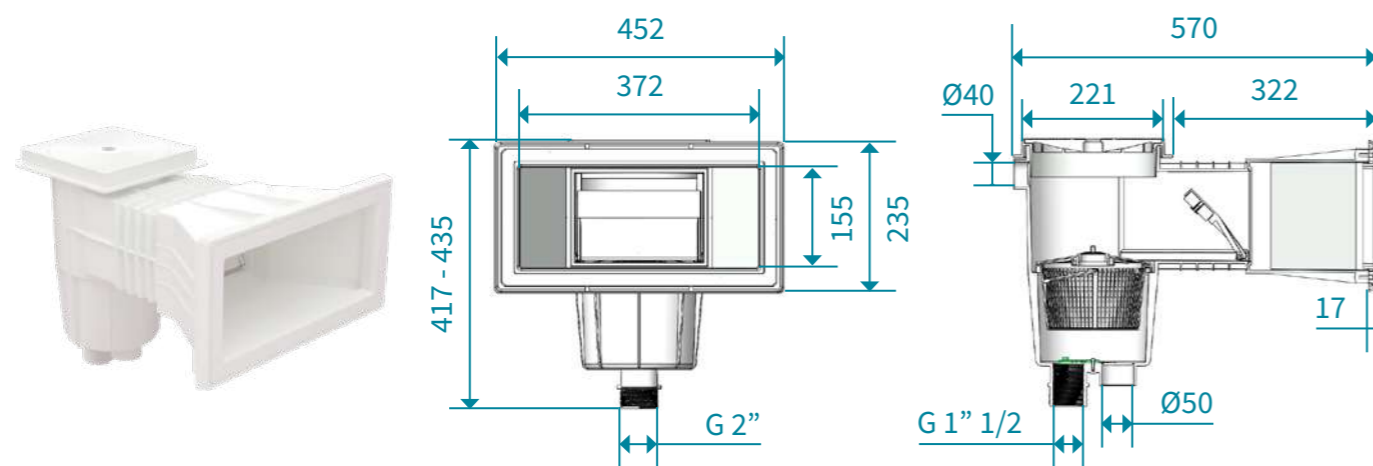
Rec. flow: 5 m³/h



Skimmer 15L, wide mouth, concrete pools

78217

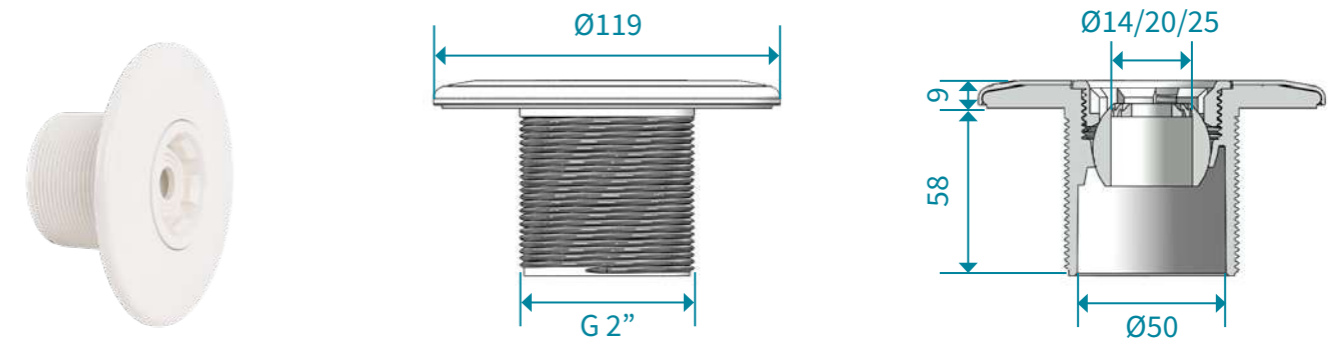
Rec. flow: 5 m³/h



Return Inlet, multifold, 2"- D50, concrete pools

78219

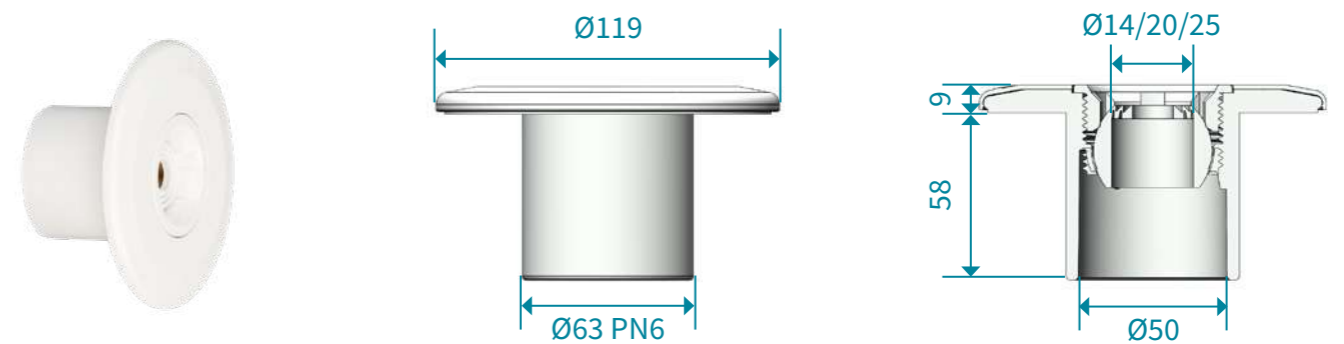
Rec. flow: 2 - 7 m³/h



Return Inlet, multifold, D63 PN6 - D50, concrete pools

78221

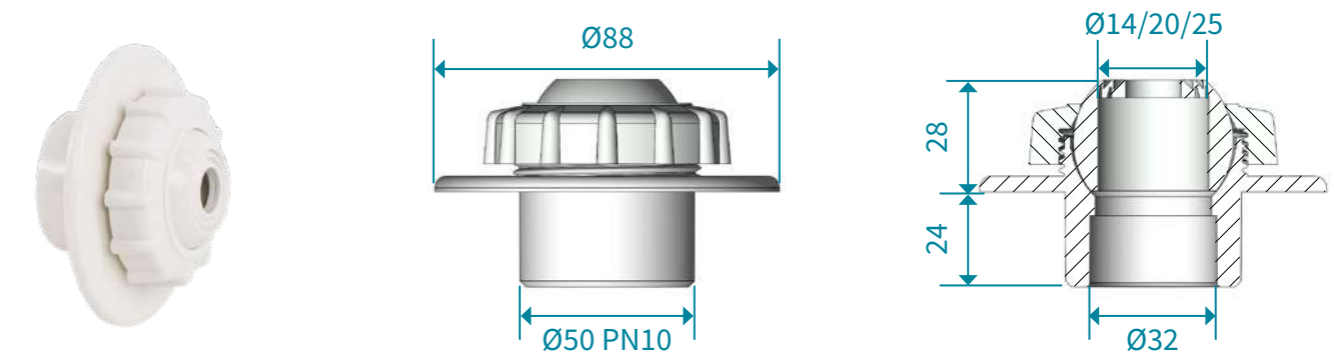
Rec. flow: 2 - 7 m³/h



Return Inlet, multifold, D50 PN10, concrete pools

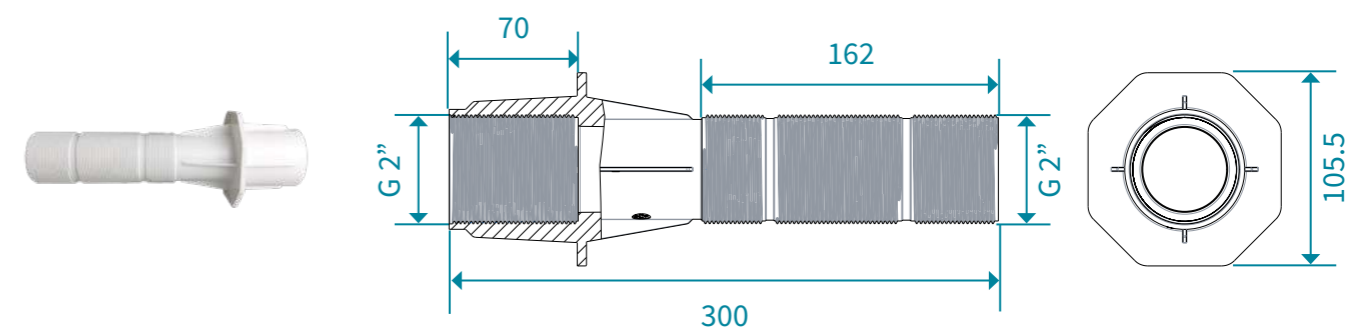
78222

Rec. flow: 2 - 7 m³/h



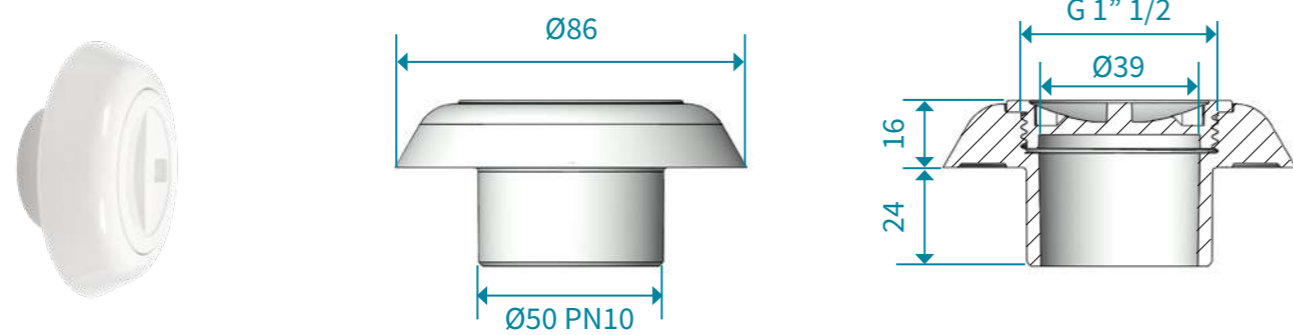
Wall Conduit, 2", L300, 2", concrete pools

78234



Suction Inlet, D50 PN10, concrete pools

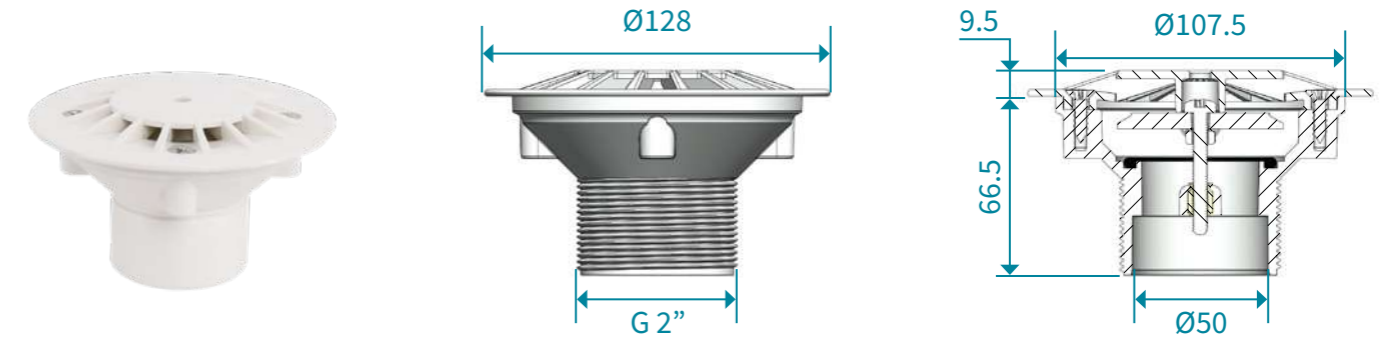
78223



Floor Inlet, 2"- D50, concrete pools

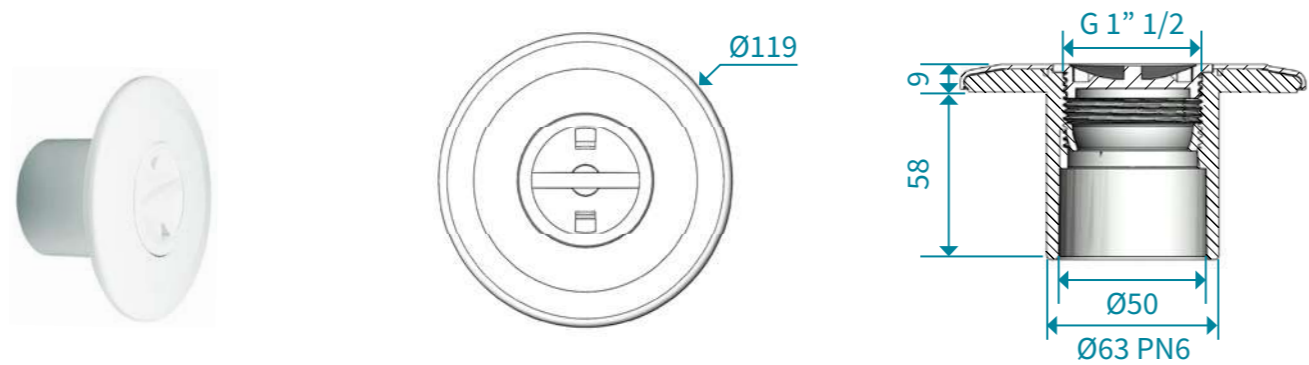
78228

Rec. flow: 12 m³/h



Suction Inlet, D63 PN6 - D50, concrete pools

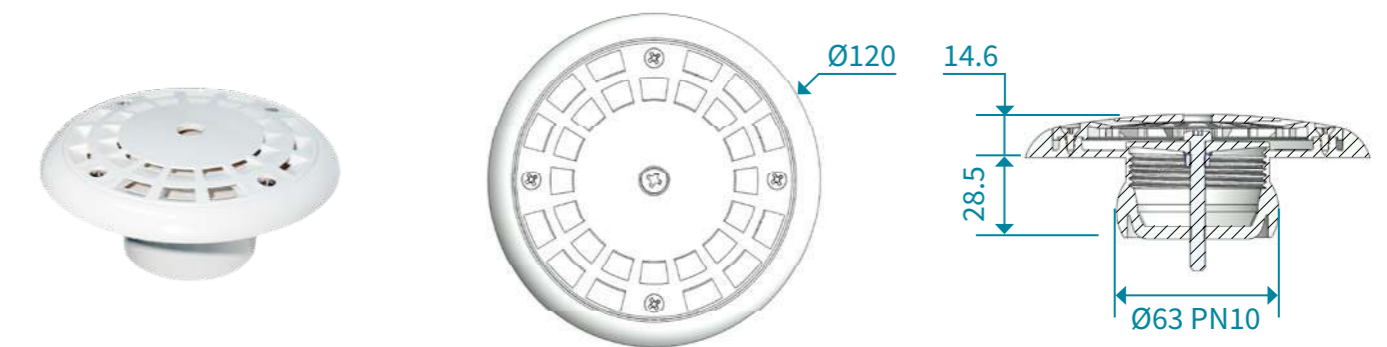
78224



Floor Inlet, D63 PN10, adjustable, concrete pools

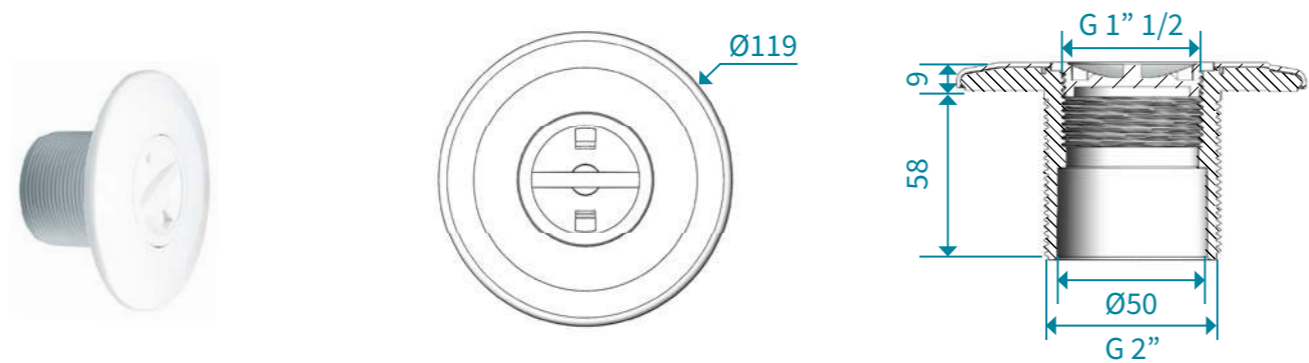
78230

Rec. flow: 12 m³/h



Suction Inlet, 2"- D50, concrete pools

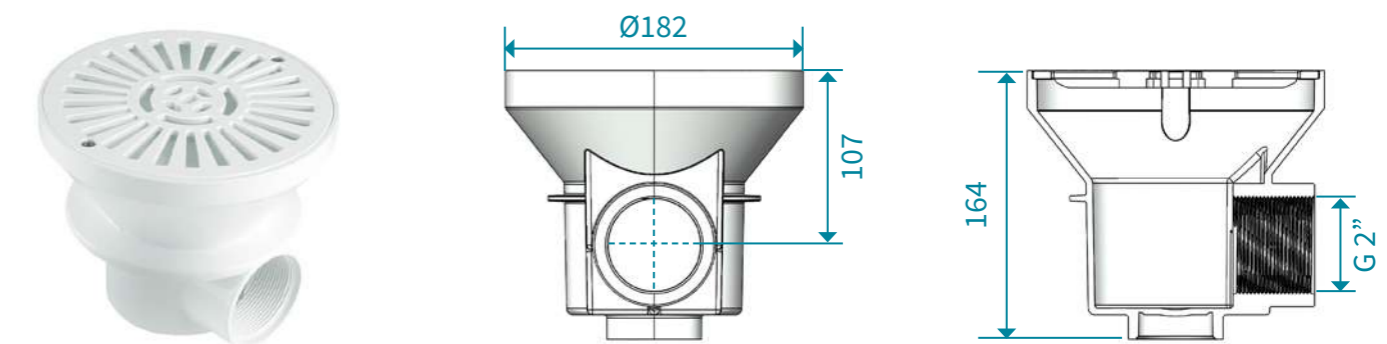
78225



Main Drain, Round, 2", concrete pools

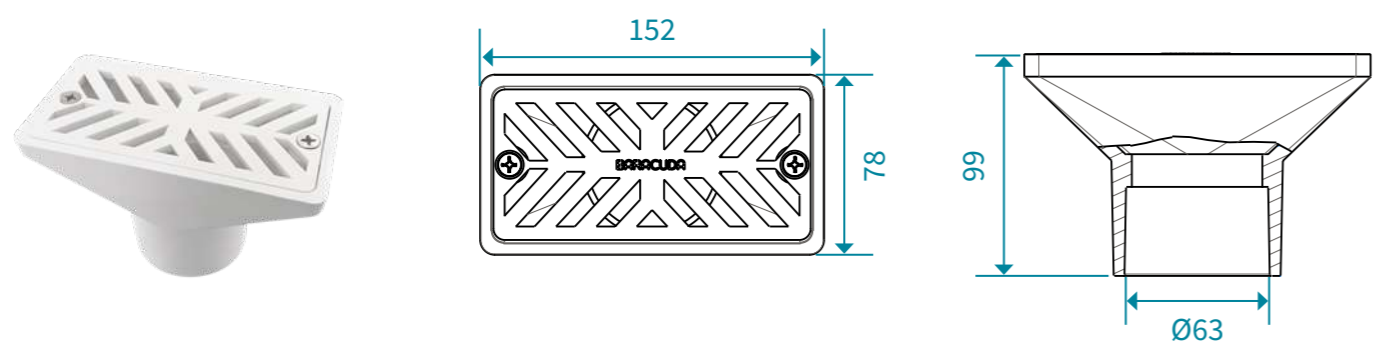
78231

Rec. flow: 13 m³/h



Gutter Drain, D63, concrete pools

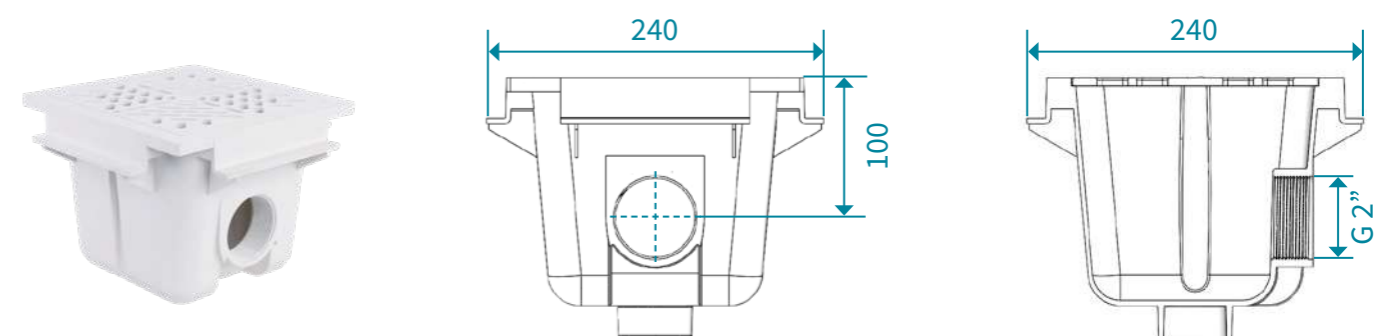
78227



Main Drain, Square, 2", concrete pools

78233

Rec. flow: 13 m³/h





A Fluidra Brand | [Baracuda.com](https://www.Baracuda.com)

©2026 Fluidra. All rights reserved. All trademarks and trade names used herein are the property of their respective owners.

BARACUDA®